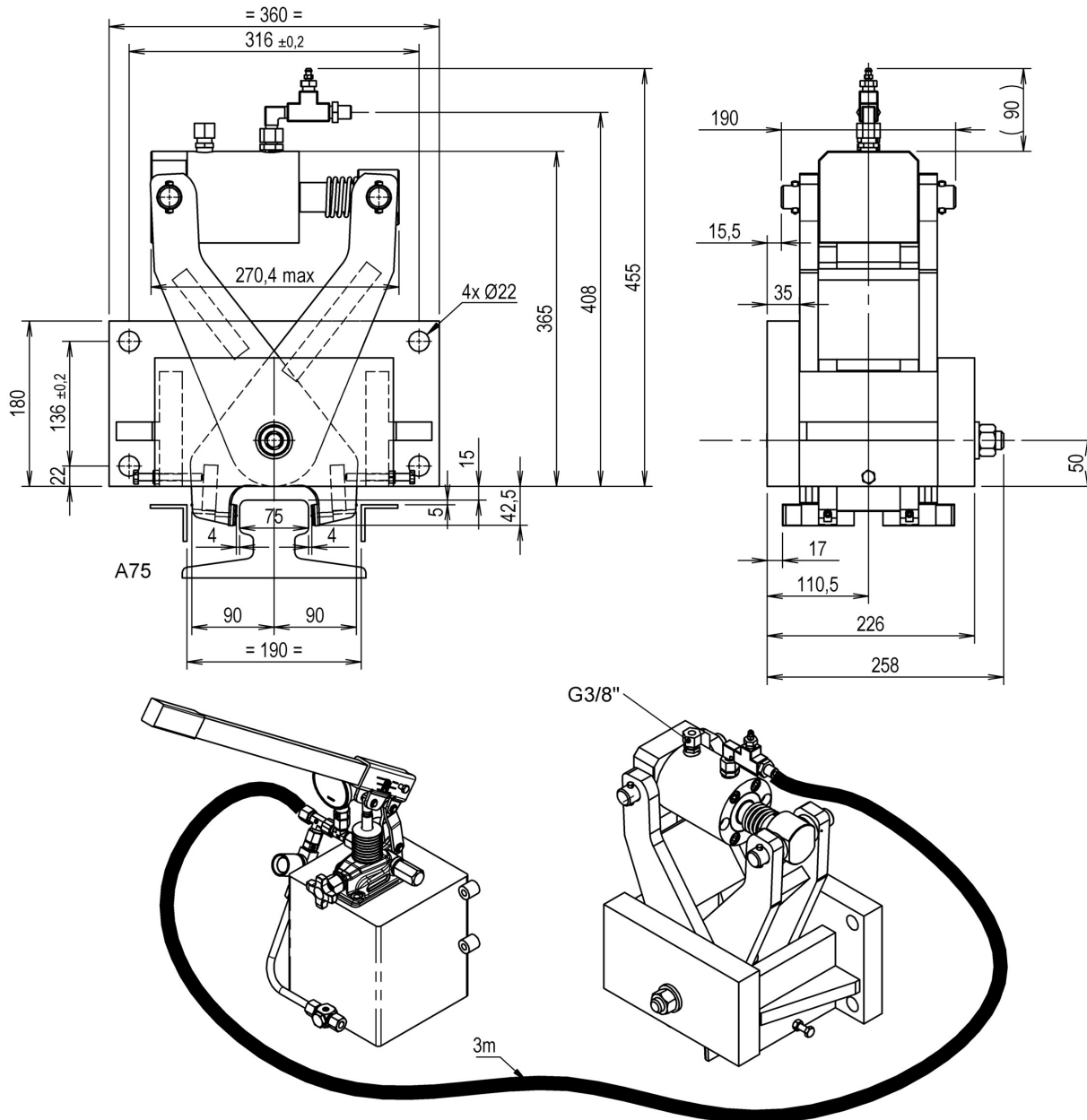


## DIRECT ACTION RAIL CLAMP Hydraulically applied with manual pump - Spring return



### Specifications

Braking force (Ff):	20000 N
Max. setting:	100 %
Min. setting:	0 %
Nominal pad gap (total):	8 mm
Oil pressure:	140 bar
Displaced volume for braking:	37 cm <sup>3</sup>
Weight:	90 kg

### Working conditions

Ambient temperature: -20 ° / +60 °C  
Air humidity: < 90%

### Fastening

4 screws M20 class 8.8 (not supplied)  
Cs: 370 Nm ±10% ; μ=0.15

### Other options

Assembly set (screw + washers)  
Stainless steel cover  
Seawater execution